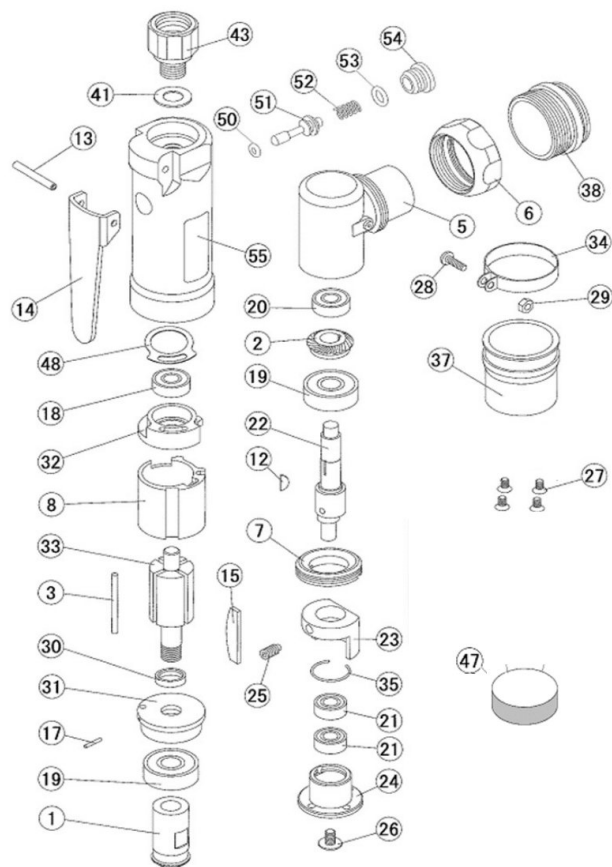
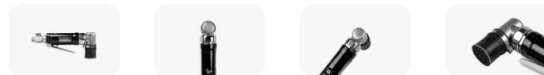


# 9103501 Schemat części

## TOUCH UP SANDER KT-501



## ART. NO 910-3501 | TOUCH-UP SANDER KT-501



INDEX NO.	DESCRIPTION	PART NO.	INDEX NO.	DESCRIPTION	PART NO.
1	PINION GEAR	9103501-1	27	SCREW M3X5	9103501-27
2	BEVEL GEAR	9103501-2	28	PEN HEAD	9103501-28
3	CYLINDER PIN	9103501-3	29	HEX NUT M3	9103501-29
5	ANGLE HOUSING	9103501-5	30	SPACER	9103501-30
6	COUPLING	9103501-6	31	FRONT END PLATE 51	9103501-31
7	BEARING LOCK NUT	9103501-7	32	REAR END PLATE	9103501-32
8	CYLINDER	9103501-8	33	ROTOR	9103501-33
12	WOODRUFF KEY	9103501-12	34	SKIRT BAND	9103501-34
13	SPRING PIN 3X24	9103501-13	35	SNAP RING	9103501-35
14	THROTTLE LEVER	9103501-14	37	SKIRT	9103501-37 ●
15	VANE	9103501-15	38	LOCK RING	9103501-38
16	SPRING	9103501-16	41	SILENCER	9103501-41
17	NEEDLE ROLLER 1.2X8	9103501-17	43	AIR INLET BUSHING	9103501-43
18	BALL BEARING R4ZZ	9103501-18	46	MP PAD BASE MP PAD BASE 30 2.5	9103501-46
19	BALL BEARING 608ZZ	9103501-19	47	STICK ON PAD (32MM)	9103501-47
20	BALL BEARING 696ZZ	9103501-20	48	GASKET	9103501-48 ●
21	BALL BEARING 686ZZ	9103501-21	50	O-RING P-5	9103501-50
22	EX. SHAFT	9103501-22	51	VALVE STEM	9103501-51
23	BALANCER	9103501-23	52	VALVE SPRING	9103501-52
24	SHOE BEARING CASE	9103501-24 ●	53	O-RING P-8	9103501-53
25	SET SCREW M4X8	9103501-25	54	VALVE PLUG	9103501-54
26	SCREW M4X6	9103501-26	55	BODY	9103501-55

### HOW TO CHANGE PAD

#### 1. DISASSEMBLE

HEAT THE BOTTOM OF NO.37B AND DISASSEMBLE. ( EASY TO TAKE OFF CLEANLY )

#### 2. REMOVE OIL

CLEAN THE ALUMINUM FACE OF NO.37B, AND REMOVE OIL COMPLETELY. (FOR TAKING DUST CHIPS OFF, AND FOR STRONG ADHESION)

#### 3. REASSEMBLE

ADHERE NO.37B TO NO.37 AFTER HEATING THE ALUMINUM FACE OF NO.37B. ( FOR STRONG ADHESION )  
\*ALWAYS KEEP THIS WAY FOR YOUR SAFETY

● FREQUENTLY REPLACED PART -  
HIGHLY RECOMMENDED TO KEEP ON STOCK